



— **özdöken** —

DISC CULTIVATORS

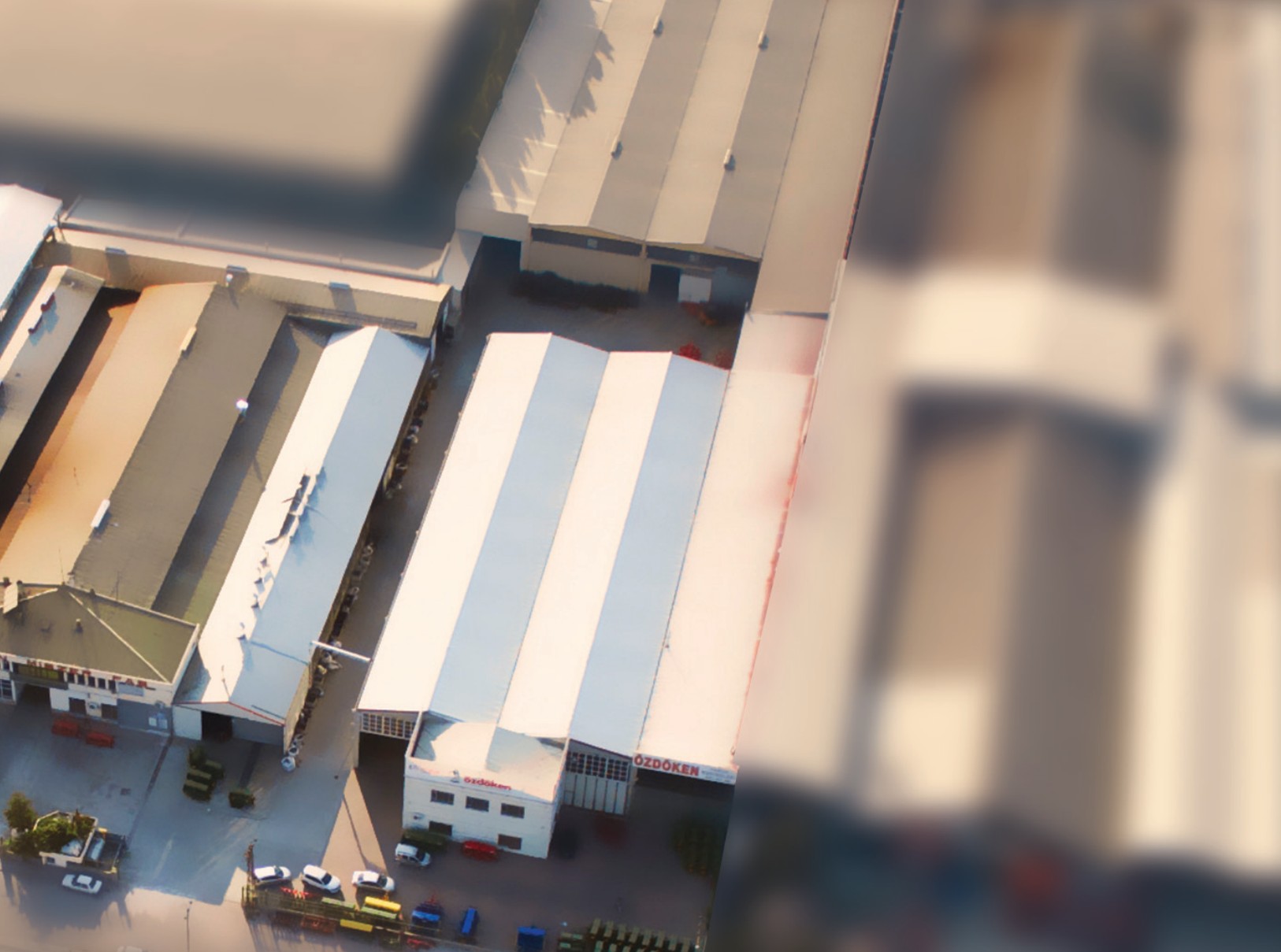


ABOUT US

ÖZDÖKEN

Modern agriculture demands faster,easier and efficient agricultural equipments.
Therefore,our ambition is to develop innovative equipments that will give chance to
prepare the fields at the right time or seed on perfect conditions for maximum yield,while
farmers save time,energy and money.

We will continue to be a trustable partner of our customers, and always keeping up with
technology and continue to produce better ones.



OUR FACTORY

Ozdoken Agriculture which is founded in 1976, is specialized on agricultural equipments especially seeding and tillage equipments in Turkey.

Our aim always to produce better machines in 4 production plants with 180 employees and computer controlled CNC machines, laser cutting technologies, robotic welding and high quality wet painting system.

FIGURES

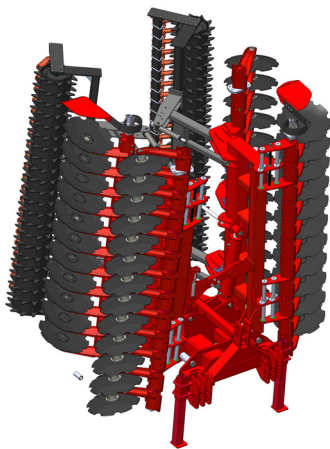
- 4 production plants
- 60.000 square meter total area, 40.000 square meter closed area
- 40 years experience on market
- 30% Turnover from Abroad
- 180 employees
- 5.000 machines produced in 2014



EVODISC



EVODISC - T



EVODISC - K



EVODISC - TK



Mechanical Angle Adjustment



Standart Side Deflectors

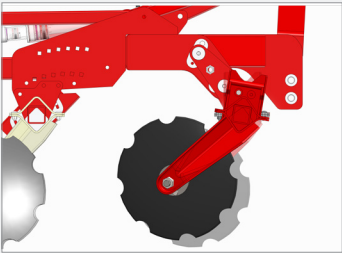


Individual Rubber Disc Suspension



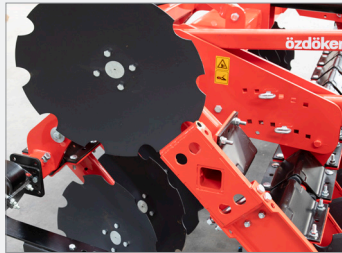
Shorter Machine, Less Power Requirement

Thanks to the folding roller system, machine stands closer to the tractor in the road position. In this way, it requires less lifting capacity and front weight ballast.



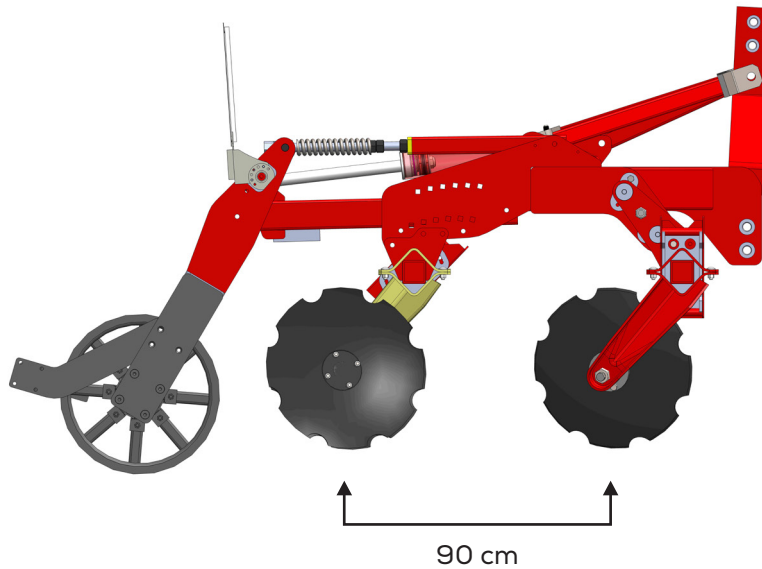
Adjustable Side Discs

Standart foldable side discs to have 3 meters transport width for EVODISC-300.



Foldable Side Discs

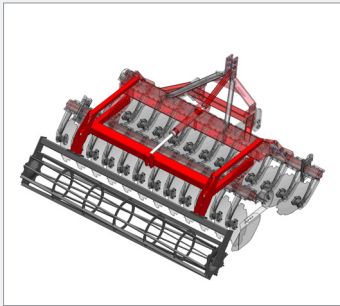
Standart foldable side discs to have 3 meters transport width for EVO-DISC-300.



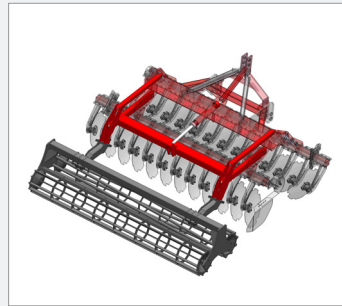
Disc to Disc Distance 90 cm

In order to prevent crop residue blockage.

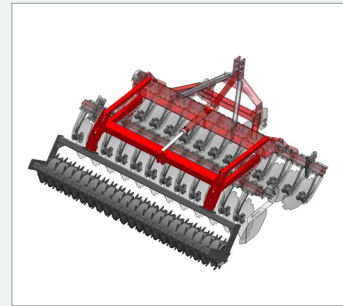
ROLLERS



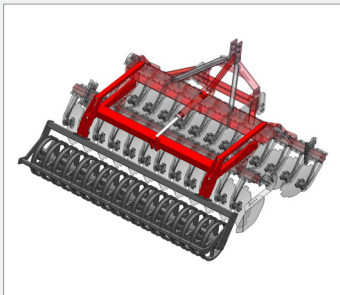
Cage Roller



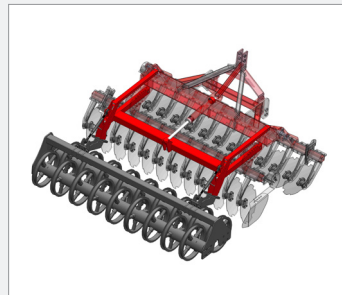
Double Cage Roller



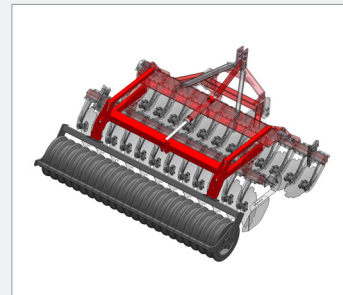
Packer Roller



"U" TYPE SINGLE ROLLER



"U" TYPE DOUBLE ROLLER



RUBBER ROLLER

HUB TYPE



STANDARD

Maintenance Bearing



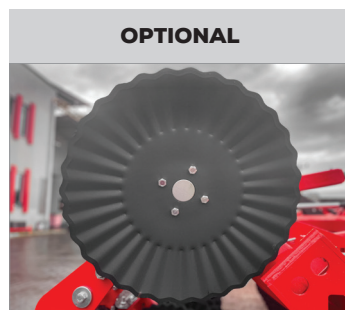
OPTIONAL

Maintenance Free Bearing Made By FK



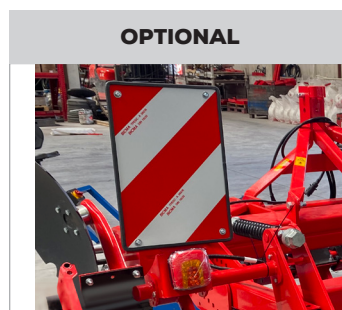
OPTIONAL

Maintenance Free Bearing Made By FKL



OPTIONAL

Razor Disc



OPTIONAL

Traffic Kit

| EVODISC SERIES | | | | | | | |
|--------------------|-----------------|----------------|---------------|-----------------|----------------|-------------------|---------|
| MODEL | NUMBER OF DISCS | DISC DIMENSION | WORKING WIDTH | TRANSPORT WIDTH | MINIMUM WEIGHT | POWER REQUIREMENT | |
| | pcs | mm | cm | cm | kg | hp | kW |
| EVODISC-250 | 20 | 560X4,5 MM | 250 | 280 | 1390 | 90-110 | 67-82 |
| EVODISC-300 | 24 | 560X4,5 MM | 300 | 300 | 1550 | 100-130 | 82-97 |
| EVODISC-350 | 28 | 560X4,5 MM | 350 | 380 | 1750 | 120-150 | 90-110 |
| EVODISC-400 | 32 | 560X4,5 MM | 400 | 430 | 2060 | 150-190 | 110-140 |

| EVODISC-T SERIES | | | | | | | |
|---------------------|-----------------|----------------|---------------|-----------------|----------------|-------------------|---------|
| MODEL | NUMBER OF DISCS | DISC DIMENSION | WORKING WIDTH | TRANSPORT WIDTH | MINIMUM WEIGHT | POWER REQUIREMENT | |
| | pcs | mm | cm | cm | kg | hp | kW |
| EVODISC-T250 | 20 | 560X4,5 MM | 250 | 280 | 2250 | 90-110 | 67-82 |
| EVODISC-T300 | 24 | 560X4,5 MM | 300 | 300 | 2450 | 100-130 | 82-97 |
| EVODISC-T350 | 28 | 560X4,5 MM | 350 | 380 | 2650 | 120-150 | 90-110 |
| EVODISC-T400 | 32 | 560X4,5 MM | 400 | 430 | 2960 | 150-190 | 110-140 |

| EVODISC-K SERIES | | | | | | | |
|---------------------|-----------------|----------------|---------------|-----------------|----------------|-------------------|---------|
| MODEL | NUMBER OF DISCS | DISC DIMENSION | WORKING WIDTH | TRANSPORT WIDTH | MINIMUM WEIGHT | POWER REQUIREMENT | |
| | pcs | mm | cm | cm | kg | hp | kW |
| EVODISC-K400 | 32 | 560X4,5 MM | 400 | 300 | 2400 | 150-200 | 112-150 |
| EVODISC-K500 | 40 | 560X4,5 MM | 500 | 300 | 2800 | 190-240 | 140-180 |
| EVODISC-K600 | 48 | 560X4,5 MM | 600 | 300 | 3400 | 220-260 | 165-195 |

| EVODISC-TK SERIES | | | | | | | |
|----------------------|-----------------|----------------|---------------|-----------------|----------------|-------------------|---------|
| MODEL | NUMBER OF DISCS | DISC DIMENSION | WORKING WIDTH | TRANSPORT WIDTH | MINIMUM WEIGHT | POWER REQUIREMENT | |
| | pcs | mm | cm | cm | kg | hp | kW |
| EVODISC-TK400 | 32 | 560X4,5 MM | 400 | 300 | 4160 | 150-200 | 112-150 |
| EVODISC-TK500 | 40 | 560X4,5 MM | 500 | 300 | 4400 | 190-240 | 140-180 |
| EVODISC-TK600 | 48 | 560X4,5 MM | 600 | 300 | 4850 | 220-260 | 165-195 |

özdoğan



ozdoken.com.tr

📍 Horozluhan Osb Mahallesi Bayrampaşa Caddesi
Güvençli Sokak No: 5 Selçuklu/KONYA

☎ +90 332 251 67 20

📠 +90 332 249 09 86

✉ info@ozdoken.com.tr

V2.0 - 10.2022

özdoğan